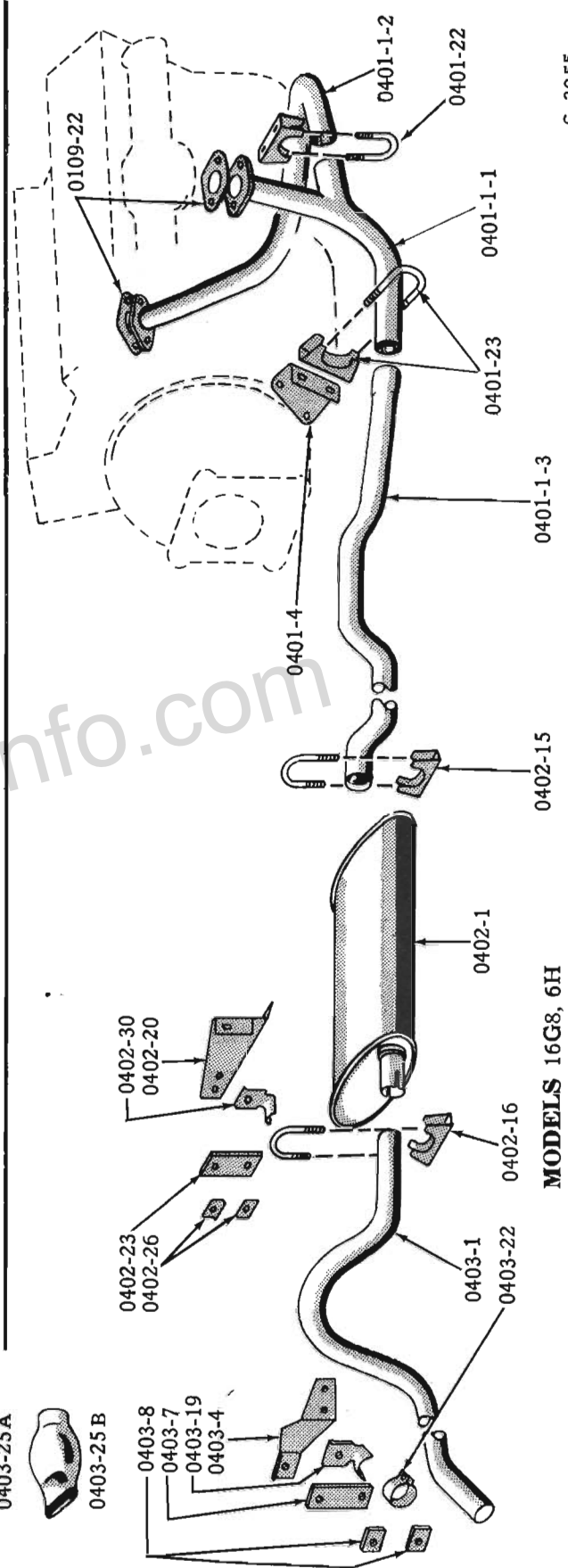
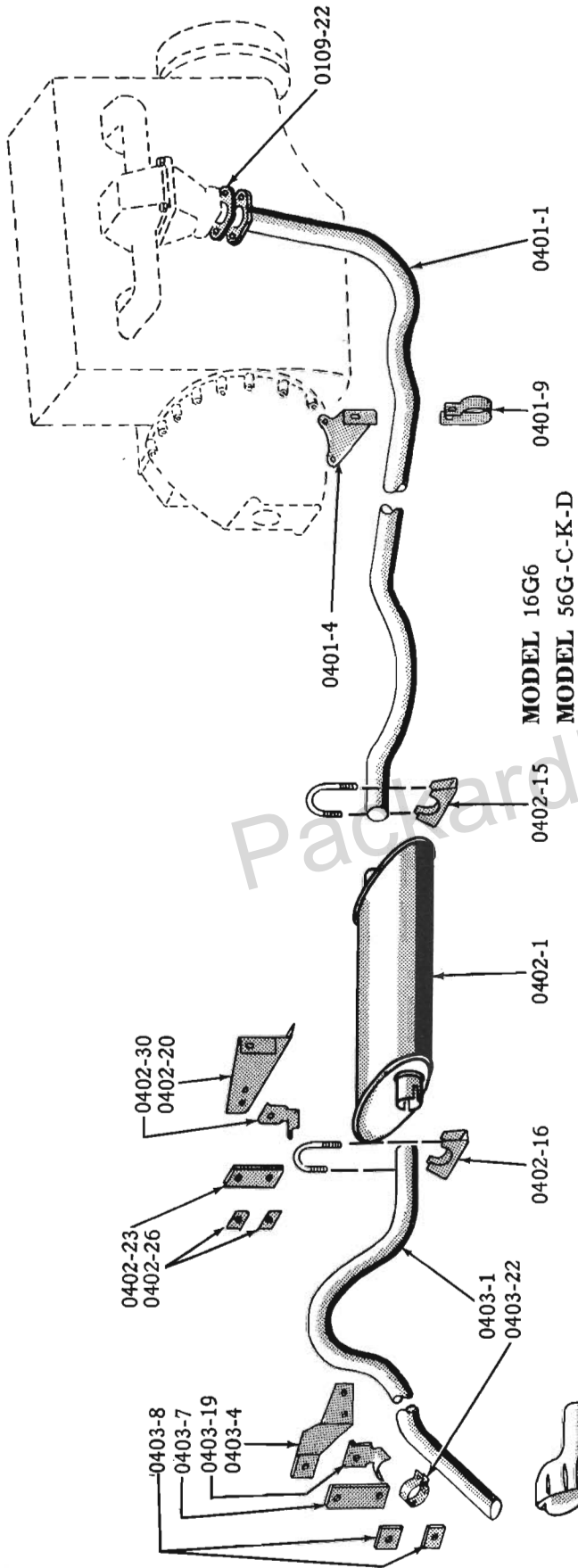


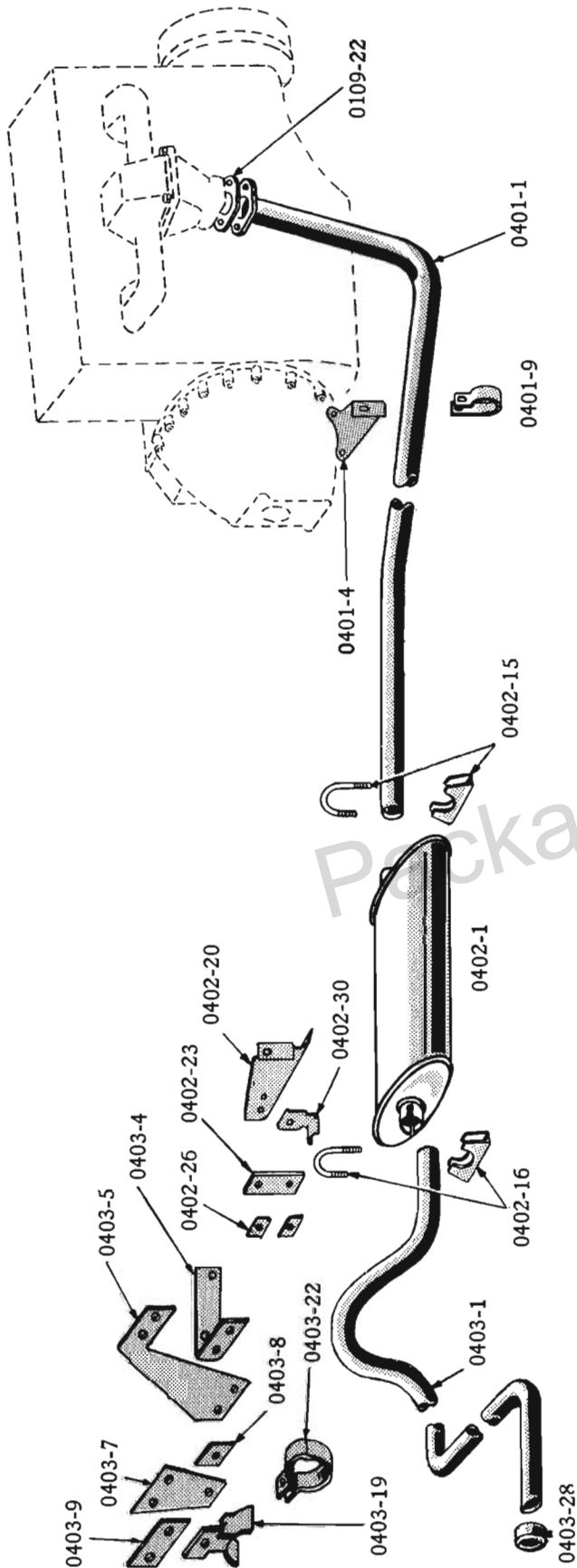
SINGLE EXHAUST SYSTEM

Plate 04-1

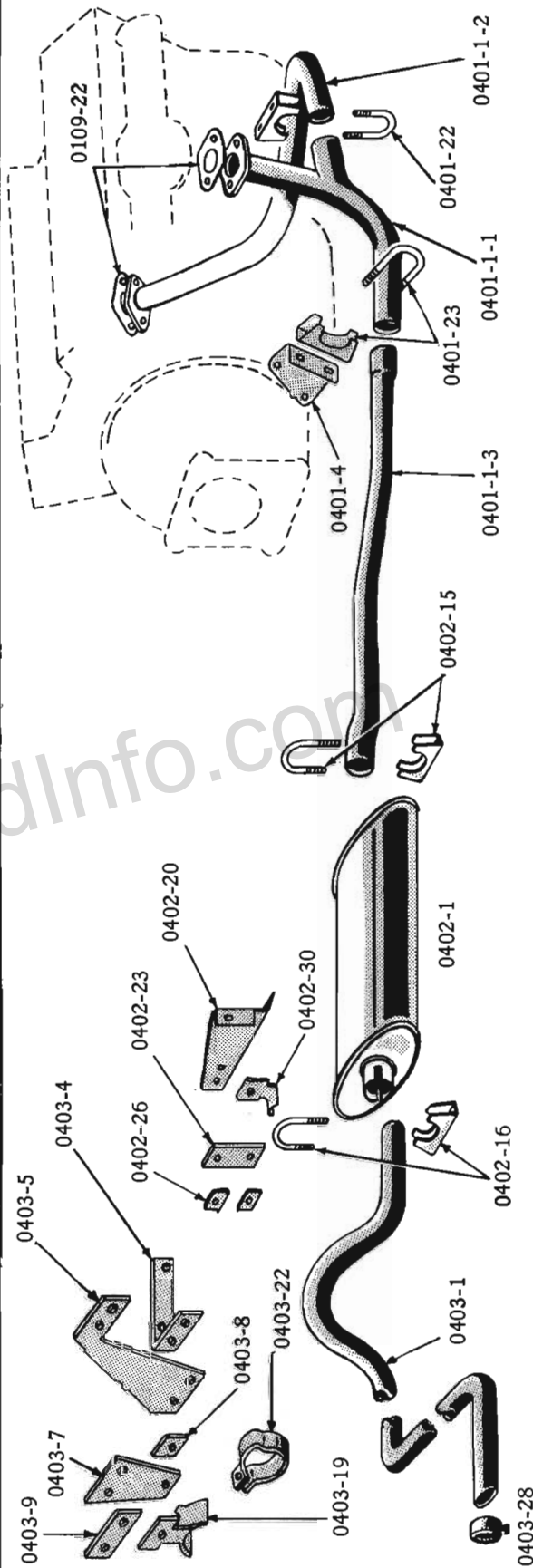


C-3055

SINGLE EXHAUST SYSTEM - Models 16G, 6H, 56G, 56B, 56H



MODEL 56G-W-F Before Serial G1,374,701



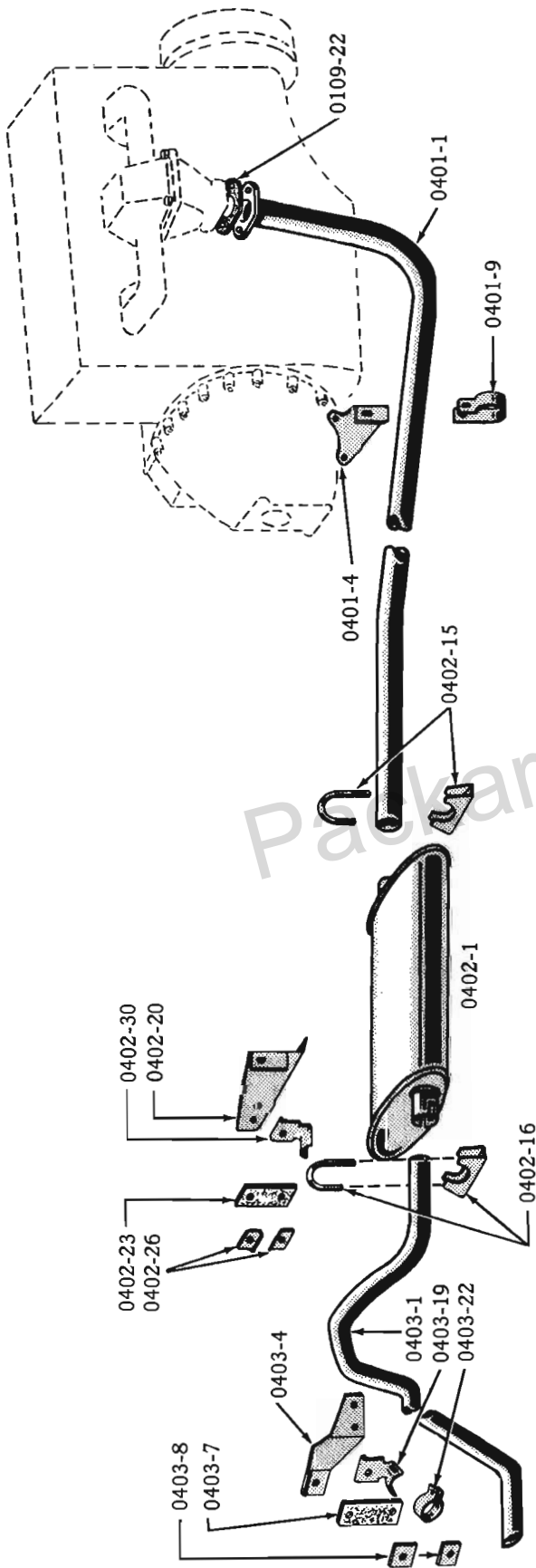
MODELS 56B, 56H-W-F-Y Before Serials 8,448,860 and 7,186,910

C-3362

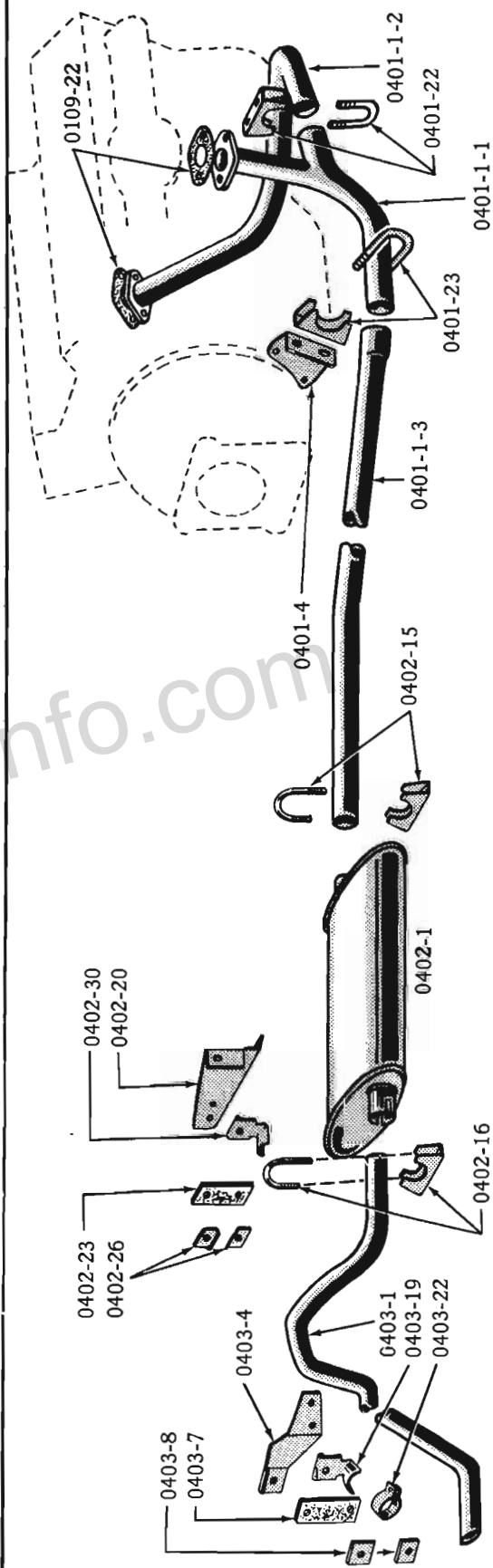
SINGLE EXHAUST SYSTEM - Models 56G, 56B, 56H, (W-F-Y)

SINGLE EXHAUST SYSTEM

Plate 04-3



MODEL 56G-W-F After Serial G1,374,701
MODEL 57G



MODELS 56B, 56H-W-F-Y After Serials 8,448,860 and 7,186,910
MODELS 57B, 57H

SINGLE EXHAUST SYSTEM - Models 56G, 56B, 56H, 57G, 57B, 57H

C-3453

SINGLE EXHAUST SYSTEM

ILLUST. NUMBER	PART NUMBER	CHANGE ✓	DESCRIPTION	MODELS	PER CAR
0401 - EXHAUST PIPE AND SUPPORTS (Plates 04-1, 2, 3)					
0401-1	536403		PIPE, EXHAUST - W-F-D-P	16G6, 56G, 57G	1
0401-1	536424		PIPE, EXHAUST - C-K	16G6, 56G, 57G	1
0401-1-1	536419		PIPE, FRONT RIGHT, EXHAUST - LHC	16G8, 6H, 56B, 57B, 57H	1
0401-1-1	536420		PIPE, FRONT RIGHT, EXHAUST - RHC	16G8, 6H, 56B, 56H, 57B, 57H	1
0401-1-2	536365		PIPE, FRONT LEFT, EXHAUST (CROSSOVER) W-F-D-Y	16G8, 6H, 56B, 56H	1
0401-1-2	536395		PIPE, FRONT LEFT, EXHAUST (CROSSOVER) C-K	16G8, 6H, 56B	1
0401-1-2	536365		PIPE, FRONT LEFT, EXHAUST (CROSSOVER)	57B, 57H	1
0401-1-3	536490		PIPE, REAR, EXHAUST - W-F-D-P	16G8, 56B, 56H, 57B, 57H	1
0401-1-3	536428		PIPE, REAR, EXHAUST - C-K	16G8, 6H, 56B, 57B	1
0401-1-3	536491		PIPE, REAR, EXHAUST - Y	6H	1
0401-1-3	536491		PIPE, REAR, EXHAUST - Y - RHC	56H, 57H	1
	37X211		STUD, TO MANIFOLD 3/8"-16-24X1 3/8"	16G6, 56G, 57G	2
	37X212		STUD, RIGHT, TO MANIFOLD THRU HEATER VALVE 3/8"-16-24X2 1/16"	16G8, 6H, 56B, 56H, 57B, 57H	2
	37X162		STUD, LEFT, TO MANIFOLD 3/8"-16-24x1 1/2"	16G8, 6H, 56B, 56H, 57B, 57H	2
	G114547		NUT, HEX. 3/8"-24	16G6, 56G, 57G	2
	G114547		NUT, HEX. 3/8"-24	16G8, 6H, 56G, 56H, 57B, 57H	4
	41X243		WASHER, PLAIN 13/32"	ALL MODELS	*
0109-22	680291		GASKET, EXHAUST PIPE FLANGE	16G6, 56G, 57G	1
0109-22	536183		GASKET, EXHAUST PIPE FLANGE (INCL. IN 536265-536304 SETS)	16G8, 6H, 56B, 56H, 57B, 57H	2
0401-4	535618		SUPPORT, EXHAUST PIPE - W-F-D-P	16G6, 56G, 57G	1
0401-4	526407		SUPPORT, EXHAUST PIPE - C-K	16G6, 56G, 57G	1
0401-4	536442		SUPPORT, EXHAUST PIPE (FASTENED WITH CLUTCH OR CONVERTER HOUSING BOLTS)	16G8, 6H, 56B, 56H	1
0401-9	191827		CLAMP, EXHAUST PIPE SUPPORT	16G6, 56G, 57G	1
	G181643		BOLT, CLAMPING 3/8"-24X1 1/2"	16G6, 56G, 57G	1
	G120369		NUT, HEX. 3/8"-24	16G6, 56G, 57G	1
	G120394		WASHER, PLAIN 3/8"	16G6, 56G, 57G	1
	41X243		WASHER, PLAIN 13/32"	16G6, 56G, 57G	1
	G120382		WASHER, LOCK 3/8"	16G6, 56G, 57G	1
0401-22	537326		U-BOLT AND SADDLE ASSY. (FRONT PIPE)	16G8, 6H, 56B, 56H, 57B, 57H	1
0401-23	521274		U-BOLT AND SADDLE ASSY. (REAR PIPE)	16G8, 6H, 56B, 56H, 57B, 57H	1
0402 - MUFFLER (Plates 04-1, 2, 3)					
0402-1	536408		MUFFLER	16G6	1
0402-1	536409		MUFFLER	16G8, 6H	1
0402-1	536408		MUFFLER	56G, 57G	1
0402-1	1539837		MUFFLER - STANDARD	56B, 56H, 57B, 57H	1
0402-1	1539838		MUFFLER - ZINC COATED	56B, 56H, 57B, 57H	1
0402-15, 16	521273		U-BOLT AND SADDLE ASSY. (FRONT AND REAR OF MUFFLER)	16G6, 56G, 57G	2
0402-15, 16	521274		U-BOLT AND SADDLE ASSY. (FRONT AND REAR OF MUFFLER)	16G8, 6H	2
0402-15	521274		U-BOLT AND SADDLE ASSY. (FRONT OF MUFFLER)	56B, 56H, 57B, 57H	1
0402-16	521273		U-BOLT AND SADDLE ASSY. (REAR OF MUFFLER)	56B, 56H, 57B, 57H	1
0402-20	534943		BRACKET, MUFFLER SUPPORT (REAR OF MUFFLER)	16G, 6H	1
0402-20	1539856		BRACKET, MUFFLER SUPPORT (REAR OF MUFFLER)	56G, 56B, 56H, 57G, 57B, 57H	1
	G181636		SCREW, TO FRAME 5/16"X1/2"	ALL MODELS	1
	G181361		BOLT, TO FRAME 3/8"-24X7/8"	ALL MODELS	1
	G120369		NUT, HEX. 3/8"-24	ALL MODELS	1
	G120394		WASHER, PLAIN 13/32"	ALL MODELS	1
	G120382		WASHER, LOCK 3/8"	ALL MODELS	1

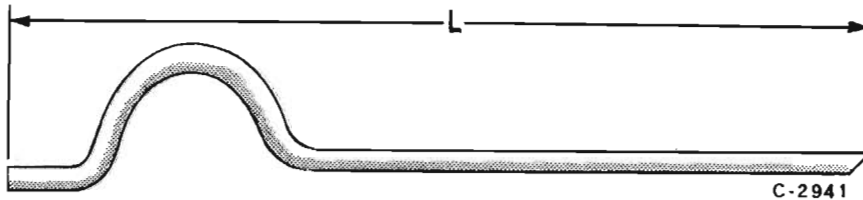
NOTE { * - USE AS REQUIRED.

SINGLE EXHAUST SYSTEM

0403

ILLUST. NUMBER	PART NUMBER	CHANGE	DESCRIPTION	MODELS	PER CAR
0402 - MUFFLER-Cont'd. (Plates 04-1, 2, 3)					
0402-23	526460		STRAP, MUFFLER SUPPORT (REAR OF MUFFLER)	ALL MODELS	1
	G181338		BOLT, TO BRKT. AND SUPT. 5/16"-24X7/8"	ALL MODELS	2
	G120368		NUT, HEX. 5/16"-24	ALL MODELS	2
0402-26	526347		WASHER, SPECIAL	ALL MODELS	2
	G120214		WASHER, LOCK 5/16"	ALL MODELS	2
0402-30	526459		SUPPORT, MUFFLER (REAR OF MUFFLER).	ALL MODELS	1

0403 - MUFFLER OUTLET PIPE AND SUPPORTS (Plates 04-1, 2, 3)



ILLUST. NUMBER	PART NUMBER	CHANGE	DESCRIPTION	LENGTH	MODELS	PER CAR
0403-1	536390		PIPE, OUTLET - W-F	58 5/16"	16G6	1
0403-1	536432		PIPE, OUTLET - C-K	58 7/32"	16G6, 56G, 56B	1
0403-1	536406		PIPE, OUTLET - D	54 17/32"	16G6, 56G, 56B, 56H	1
0403-1	537300		PIPE, OUTLET - W-F-Y	57 7/8"	16G8, 6H	1
0403-1	536829		PIPE, OUTLET - C-K	58 7/32"	16G8, 6H	1
0403-1	536430		PIPE, OUTLET - D	54 17/32"	16G8	1
0403-1	1539730		PIPE, OUTLET - W-F-Y - NOTE 1	60 5/16"	56G, 56B, 56H	1
0403-1	1541480		PIPE, OUTLET - W-F-Y - NOTE 2	60 5/16"	56G, 56B, 56H	1
0403-1	1541847		PIPE, OUTLET - W-F-Y	61 3/16"	57G, 57B, 57H	1
0403-1	1542144		PIPE, OUTLET - C-K	57 7/8"	57G, 57B, 57H	1
0403-1	1541849		PIPE, OUTLET - D-P	61 9/16"	57G, 57B, 57H	1
0403-4	536388		BRACKET, OUTLET PIPE SUPPORT - W-F-Y		16G, 6H, 57G, 57B, 57H	1
0403-4	1540302		BRACKET, OUTLET PIPE SUPPORT - W-F-Y - NOTE 1		56G, 56B, 56H	1
0403-4	1541454		BRACKET, OUTLET PIPE SUPPORT - W-F-Y - NOTE 2		56G, 56B, 56H	1
0403-4	534861		BRACKET, OUTLET PIPE SUPPORT - C-K		ALL MODELS	1
0403-4	534862		BRACKET, OUTLET PIPE SUPPORT - D-P		ALL MODELS	1
	----		BOLT, TO FRAME - W-F-Y (SEE BUMPER BAR BOLTS).		56G, 56B, 56H	2
	G173741		SCREW, TO FRAME 5/16"-24X1/2" - C-K-D-P.		ALL MODELS	2
0403-5	1540304		HANGER, OUTLET PIPE SUPPORT - W-F-Y - NOTE 1		56G, 56B, 56H	1
0403-5	1541464		HANGER, OUTLET PIPE SUPPORT - W-F-Y - NOTE 2		56G, 56B, 56H	2
	G181608		BOLT, TO BRACKET 5/16"-24X1"		56G, 56B, 56H	2
	G120368		NUT, HEX. 5/16"-24		56G, 56B, 56H	2
	G120363		WASHER, PLAIN 3/8"		56G, 56B, 56H	2
	G120214		WASHER, LOCK 5/16"		56G, 56B, 56H	2
0403-7	526460		STRAP, OUTLET PIPE SUPPORT		16G, 6H, 57G, 57B, 57H	1
0403-7	1539713		STRAP, OUTLET PIPE SUPPORT - W-F-Y - NOTE 1		56G, 56B, 56H	1
0403-7	526460		STRAP, OUTLET PIPE SUPPORT - W-F-Y - NOTE 2		56G, 56B, 56H	1
0403-7	526460		STRAP, OUTLET PIPE SUPPORT - C-K-D		56G, 56B, 56H	1
	G181608		BOLT, TO BRACKET AND SUPPORT 5/16"-24X1"		ALL MODELS	2
	G120368		NUT, HEX. 5/16"-24		ALL MODELS	2
0403-8	526347		WASHER, SPECIAL	} 526460	ALL MODELS	2
	G120214		WASHER, LOCK 5/16"		ALL MODELS	2
	G181608		BOLT, TO HANGER AND SUPPORT 5/16"-24X1"		56G, 56B, 56H	3
	G120368		NUT, HEX. 5/16"-24		56G, 56B, 56H	3
0403-9	1539714		WASHER, UPPER SPECIAL	} 1539713	56G, 56B, 56H	1
0403-8	526347		WASHER, LOWER SPECIAL		56G, 56B, 56H	1
	G120214		WASHER, LOCK 5/16"		56G, 56B, 56H	3

NOTES { 1 - USED ON MODELS 56G | 56B | 56H
BEFORE CAR SERIALS U.S.A. G1,374,701 | 8,448,860 | 7,186,910
2 - USED ON AND AFTER CAR SERIALS IN NOTE 1.

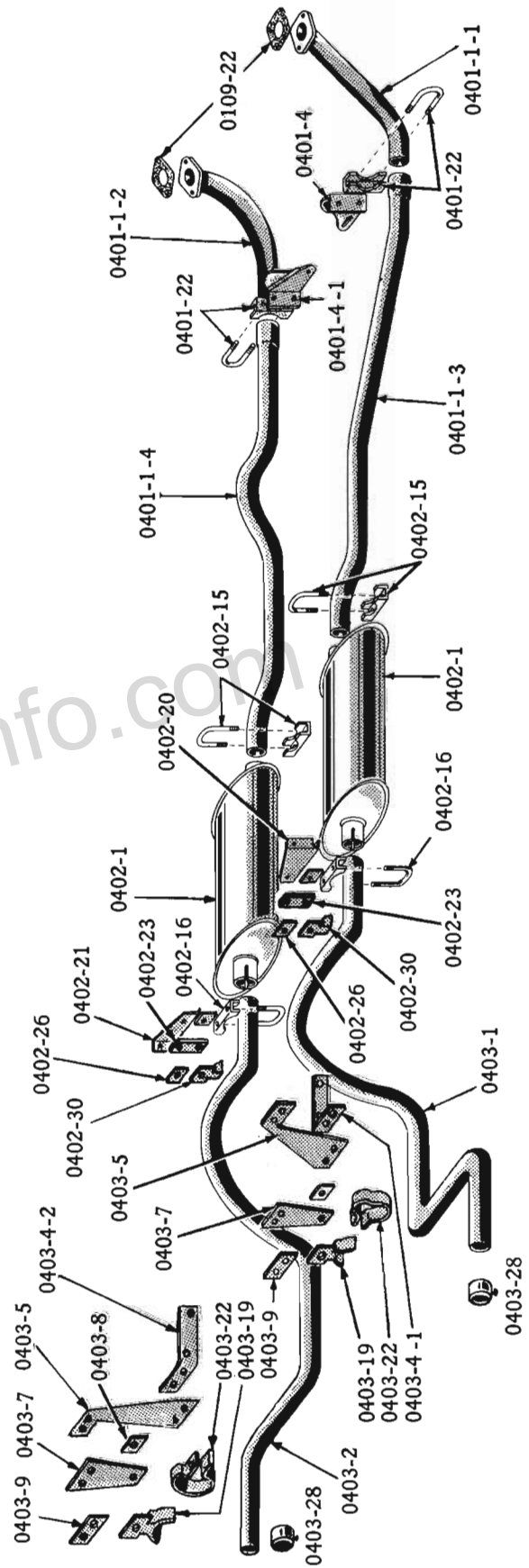
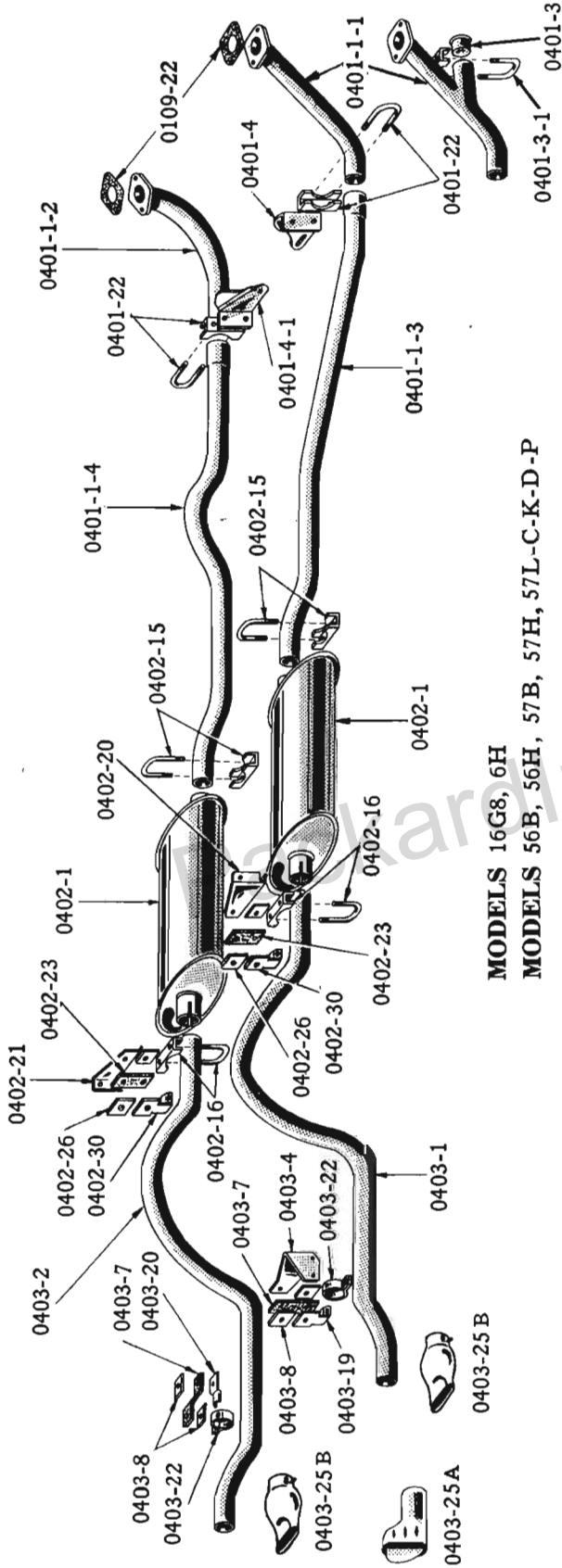
0403

SINGLE EXHAUST SYSTEM

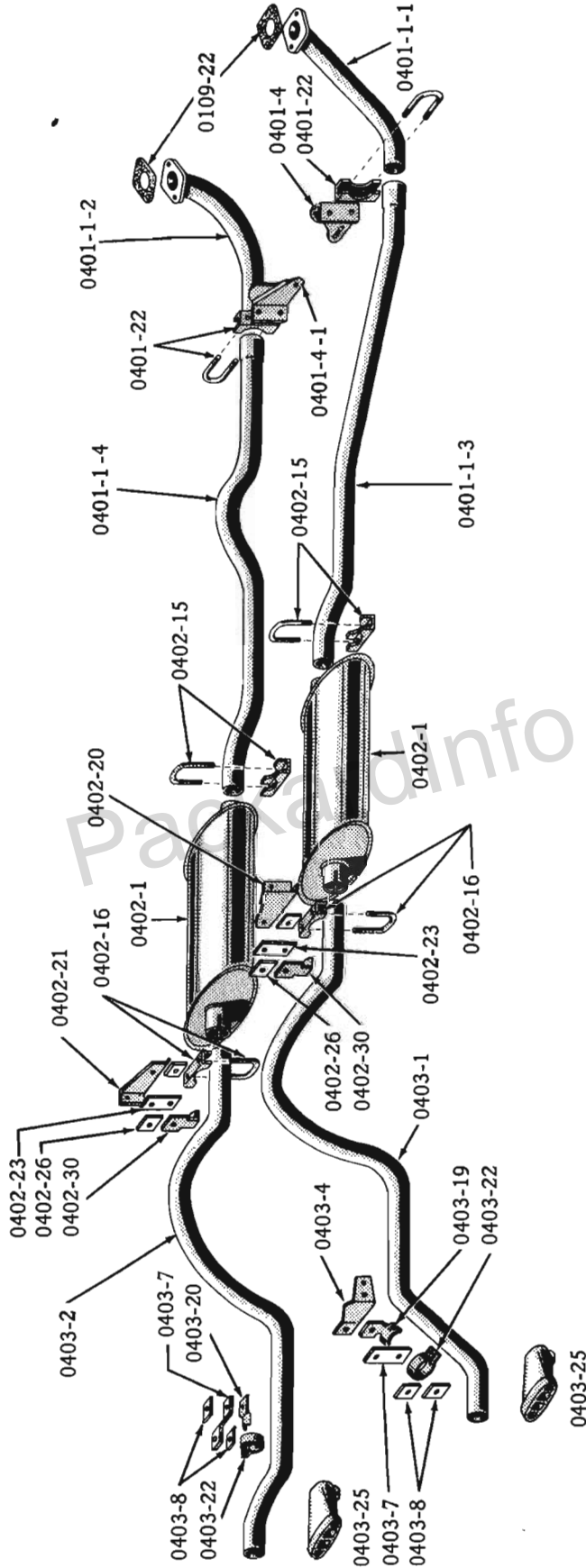
ILLUST. NUMBER	PART NUMBER	CHANGE <input checked="" type="checkbox"/>	DESCRIPTION	MODELS	PER CAR
0403- MUFFLER OUTLET PIPE AND SUPPORTS-Cont'd. (Plates 04-1, 2, 3)					
0403-19	526486		SUPPORT, OUTLET PIPE	ALL MODELS	1
0403-22	526485		CLAMP, OUTLET PIPE SUPPORT	ALL EXCEPT 16G8,6H	1
0403-22	536407		CLAMP, OUTLET PIPE SUPPORT	16G8,6H	1
	G181639		BOLT, CLAMPING 3/8" -24X1 1/4"	ALL MODELS	1
	G120369		NUT, HEX. 3/8" -24	ALL MODELS	1
	G120382		WASHER, LOCK 3/8"	ALL MODELS	1
	1539949P		PIPE, OUTLET PIPE END - W-F-Y (LEFT SIDE)	56G,56B,56H	1
	G446902		SCREW, TO BUMPER No. 10X5/8"	56G,56B,56H	2
0403-25A	AC-2701		DEFLECTOR, OUTLET PIPE (INCLS. SCREW AND SPACER).	16G,6H.	1
	G133042		SCREW, CLAMPING 1/4"X5/8"	16G,6H.	1
	537441		SPRING, SPACER	16G6	1
0403-25B	AC-2754		DEFLECTOR, OUTLET PIPE (INCLS. SCREW) C-K-D	56G,56B,56H	1
	G448935		SCREW, RETAINING No. 10X1/2"	56G,56B,56H	2
0403-25	AC-2840		DEFLECTOR, OUTLET PIPE	57G,57B,57H	1
0403-28	AC-2771		TRIM RING KIT, OUTLET PIPE-W-F-Y (CONSISTS OF 2 RINGS AND SCREWS	56G,56B,56H	1
	G155173		SCREW, RETAINING No. 10-32X1/4"	56G,56B,56H	2

DUAL EXHAUST SYSTEM

Plate 04-4



DUAL EXHAUST SYSTEM



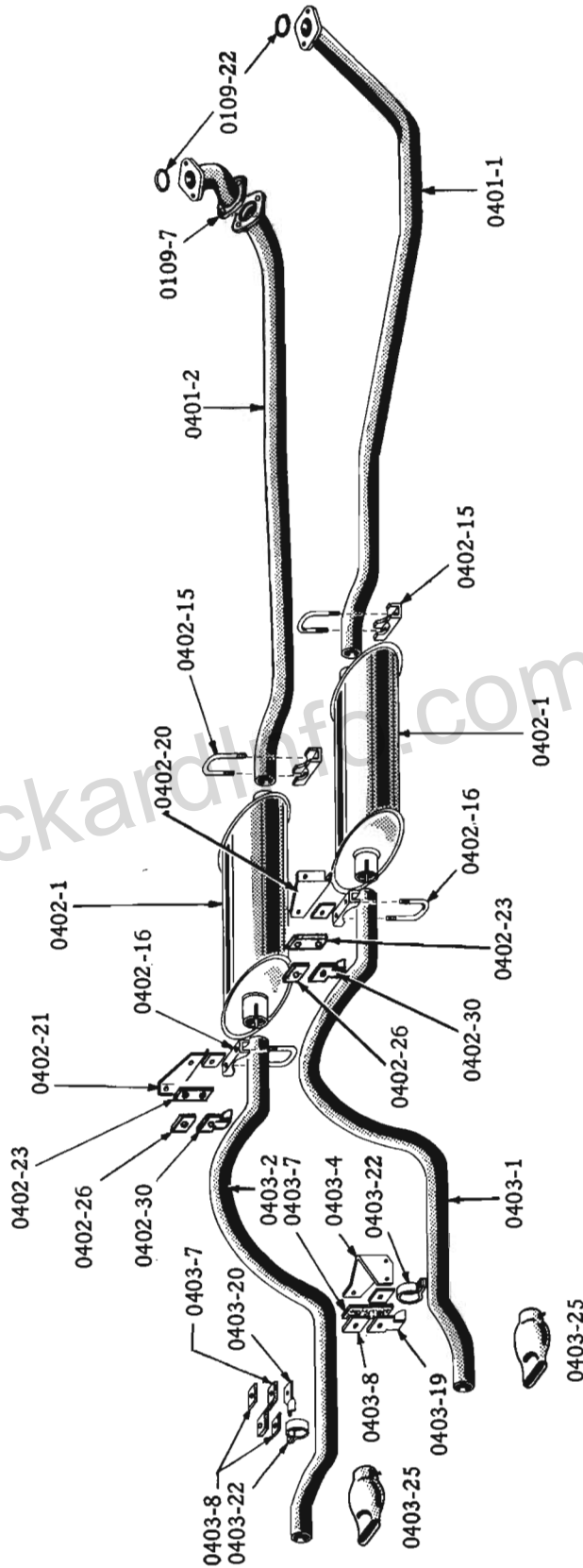
MODELS 56B, 56H-W-F-Y After Serials 8,448,860 and 7,186,910
MODELS 57B, 57H, 57L-W-Y-F

DUAL EXHAUST SYSTEM - Models 56B, 56H, 57B, 57H, 57L

DUAL EXHAUST SYSTEM

Plate 04-6

C-3361



DUAL EXHAUST SYSTEM - Model 56J

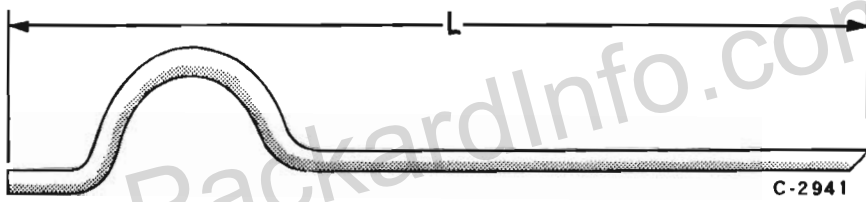
DUAL EXHAUST SYSTEM

ILLUST. NUMBER	PART NUMBER	CHANGE	DESCRIPTION	MODELS	PER CAR
0401 - EXHAUST PIPE AND SUPPORTS (Plates 04-4, 5, 6)					
AC-2725			DUAL EXHAUST KIT - W-F-Y - LHC	16G8, 6H	1
AC-2724			DUAL EXHAUST KIT - C-K5 - LHC	16G8, 6H	1
AC-2772			DUAL EXHAUST KIT - W2-W4-F2-F4 - LHC	56B	1
AC-2773			DUAL EXHAUST KIT - C3 - LHC	56B	1
1541568			DUAL EXHAUST KIT - D4-D8 - LHC	56B	1
1542723			DUAL EXHAUST KIT - W-F	57B	1
1542723			DUAL EXHAUST KIT - W2-W4-F2-F4	57H	1
1542724			DUAL EXHAUST KIT - C-K	57B	1
1542725			DUAL EXHAUST KIT - D-P	57B	1
1542725			DUAL EXHAUST KIT - D4-D8-P4	57H	1
				INCLUDES ALL PARTS NECESSARY TO INSTALL EXHAUST SYSTEM ON LEFT SIDE OF CAR.	
				INCL. IN AC KIT	
0401-1-1	536419		PIPE, FRONT RIGHT, EXHAUST - EXCEPT K7	16G8, 6H	1
0401-1-1	536582		PIPE, FRONT RIGHT, EXHAUST - K7	6H	1
0401-1-1	536582		PIPE, FRONT RIGHT, EXHAUST	56B, 56H, 57B, 57H	1
0401-1-2	537456		PIPE, FRONT LEFT, EXHAUST - W-F-D-Y-P		
				2725-2772-2811	
0401-1-2	536583		PIPE, FRONT LEFT, EXHAUST - C-K	16G8, 6H, 56B, 56H, 57B, 57H	1
0401-1-1	536582		PIPE, FRONT RIGHT, EXHAUST - LHC	16G8, 6H, 56B, 56H, 57B, 57H	1
	536420		PIPE, FRONT RIGHT, EXHAUST - RHC	57L	1
0401-1-2	537456		PIPE, FRONT LEFT, EXHAUST	57L	1
0401-1	1539897		PIPE, RIGHT, EXHAUST	57L	1
0401-2	1539896		PIPE, LEFT, EXHAUST	56J	1
0401-1-3	536490		PIPE, REAR RIGHT, EXHAUST	56J	1
0401-1-4	537536		PIPE, REAR LEFT, EXHAUST } W-F-D-P	16G8, 56B, 56H, 57B, 57H, 57L	1
0401-1-4	537648		PIPE, REAR LEFT, EXHAUST	2725	1
0401-1-3	536428		PIPE, REAR RIGHT, EXHAUST } C-K	2772-2811	1
0401-1-4	536593		PIPE, REAR LEFT, EXHAUST	56B, 56H, 57B, 57H, 57L	1
0401-1-3	536491		PIPE, REAR RIGHT, EXHAUST } Y	16G8, 6H, 56B, 56H, 57B, 57H	1
0401-1-4	537536		PIPE, REAR LEFT, EXHAUST }	2724-2773	1
	37X212		STUD, RIGHT, TO MANIFOLD THRU HEATER VALVE	6H, 56H, 57H, 57L	1
	37X162		STUD, LEFT, TO MANIFOLD 3/8"-16-24X1 1/2"	6H, 56H, 57H, 57L	1
G114547			NUT, HEX. 3/8"-24	ALL EXCEPT 56J	2
41X243			WASHER, PLAIN 3/8"	ALL EXCEPT 56J	2
G122138			SCREW, RIGHT, TO MANIFOLD 3/8"-16X1 1/8"	ALL EXCEPT 56J	4
G180134			BOLT, LEFT TO MANIFOLD EXTENSION 3/8"-16X2 1/2"	ALL EXCEPT 56J	4
G120377			NUT, HEX. 3/8"-16	56J	2
G120382			WASHER, LOCK 3/8"	56J	2
0401-3	537535		PLUG, FRONT RIGHT EXHAUST PIPE ALL	ALL EXCEPT 56J	1
0401-3-1	537326		U-BOLT AND SADDLE ASSY 2725-2772	ALL EXCEPT 56J	1
0109-22	536183		GASKET, EXHAUST PIPE FLANGE (INCL. IN 536304 SET) ALL	ALL EXCEPT 56J	2
0109-22	440866		GASKET, EXHAUST PIPE FLANGE (INCL. IN 458672 SET)	56J	2
0401-4	536442		SUPPORT, RIGHT, EXHAUST PIPE	ALL EXCEPT 56J	1
0401-4-1	536595		SUPPORT, LEFT, EXHAUST PIPE (FASTENED WITH CLUTCH OR CONVERTER HOUSING BOLTS) ALL	ALL EXCEPT 56J	1
0401-22	521274		U-BOLT AND SADDLE ASSY. . TO SUPPORT ALL	ALL EXCEPT 56J	2
0402 - MUFFLER (Plates 04-4, 5, 6,)					
0402-1	537406		MUFFLER 2724-2725	16G8, 6H	2
0402-1	1539838		MUFFLER 2772-2773-2811	56B, 56H, 56J, 57B, 57H, 57L	2
0402-15, 16	521274		U-BOLT AND SADDLE ASSY. (FRONT AND REAR OF MUFFLER) 2724-2725	16G8	4
0402-15	521274		U-BOLT AND SADDLE ASSY. (FRONT OF MUFFLER) 2772-2773-2811	56B, 56H, 56J, 57B, 57H, 57L	2
0402-16	521273		U-BOLT AND SADDLE ASSY. (REAR OF MUFFLER) 2772-2773-2811	56B, 56H, 56J, 57B, 57H, 57L	2

DUAL EXHAUST SYSTEM

0403

ILLUST. NUMBER	PART NUMBER	CHANGE	DESCRIPTION	MODELS	PER CAR
			0402 - MUFFLER - Cont'd. (Plates 04-4,5,6)		
			INCL. IN AC KIT		
0402-20	534943		BRACKET, RIGHT, MUFFLER SUPPORT (REAR OF MUFFLER)	16G8, 6H	1
0402-21	536579		BRACKET, LEFT, MUFFLER SUPPORT (REAR OF MUFFLER)	16G8, 6H	1
			2724-2725		
0402-20	1539856		BRACKET, RIGHT, MUFFLER SUPPORT (REAR OF MUFFLER)	56B, 56H, 56J, 57B, 57H, 57L	1
0402-21	1539857		BRACKET, LEFT, MUFFLER SUPPORT (REAR OF MUFFLER)	56B, 56H, 56J, 57B, 57H, 57L	1
			2772-2773-2811		
	G173741		SCREW, TO FRAME 5/16"X1/2"	ALL MODELS	2
	G181636		BOLT, TO FRAME 3/8"X24X7/8"	ALL MODELS	2
	G120369		NUT, HEX. 3/8"X24	ALL MODELS	2
	G120394		WASHER, PLAIN 13/32"	ALL MODELS	2
	G120382		WASHER, LOCK 3/8"	ALL MODELS	2
0402-23	526460		STRAP, MUFFLER SUPPORT (REAR OF MUFFLER)	ALL MODELS	2
	G181338		BOLT, TO BRACKET AND SUPPORT 5/16"X24X7/8"	ALL MODELS	4
	G120368		NUT, HEX. 5/16"X24	ALL MODELS	4
0402-26	526347		WASHER, SPECIAL	ALL MODELS	4
	G120214		WASHER, LOCK 5/16"	ALL MODELS	4
0402-30	526459		SUPPORT, MUFFLER (REAR OF MUFFLER)	ALL MODELS	2
			0403 - OUTLET PIPE AND SUPPORTS (Plates 04-4,5,6)		



ILLUST. NUMBER	PART NUMBER	CHANGE	DESCRIPTION	INCL. IN AC KIT	LENGTH	MODELS	PER CAR
0403-1	537300		PIPE, RIGHT, OUTLET	W-F-Y	57 7/8"	16G8, 6H	1
0403-2	537459		PIPE, LEFT, OUTLET	2725	57 7/8"	16G8, 6H	1
0403-1	536829		PIPE, RIGHT, OUTLET	C-K	57 7/8"	16G8, 6H	1
0403-2	536609		PIPE, LEFT, OUTLET	2724	57 7/8"	16G8, 6H	1
0403-1	1539730		PIPE, RIGHT, OUTLET	W-F-Y	60 5/16"	56B, 56H	1
0403-2	1539795		PIPE, LEFT, OUTLET	NOTE 3	60 5/16"	56B, 56H	1
0403-1	1541480		PIPE, RIGHT, OUTLET	W-F-Y	60 5/16"	56B, 56H	1
0403-2	1541481		PIPE, LEFT, OUTLET	NOTE 4	60 5/16"	56B, 56H	1
0403-1	536432		PIPE, RIGHT, OUTLET	C-K	58 7/32"	56B, 56H, 56J	1
0403-2	1539794		PIPE, LEFT, OUTLET	2773	57 7/8"	56B, 56H, 56J	1
0403-1	536406		PIPE, RIGHT, OUTLET	D	54 17/32"	56B, 56H	1
0403-2	1539839		PIPE, LEFT, OUTLET	2811	54 17/32"	56B, 56H	1
0403-1	1541848		PIPE, RIGHT, OUTLET	W-F-Y	57 7/8"	57B, 57H	1
0403-2	1542143		PIPE, LEFT, OUTLET	57 7/8"	57B, 57H	1	
0403-1	1542145		PIPE, RIGHT, OUTLET	C-K	56"	57B, 57H	1
0403-2	1542147		PIPE, LEFT, OUTLET	56"	57B, 57H	1	
0403-1	1541849		PIPE, RIGHT, OUTLET	D-P	61 9/16"	57B, 57H, 57L	1
0403-2	1542166		PIPE, LEFT, OUTLET	61 9/16"	57B, 57H, 57L	1	
0403-1	1541847		PIPE, RIGHT, OUTLET	Y	61 3/16"	57L	1
0403-2	1542142		PIPE, LEFT, OUTLET	61 3/16"	57L	1	

NOTES { 3 - USED ON MODELS 56B 56H
BEFORE CAR SERIALS U.S.A. 8,448,860 7,86,910
4 - USED ON AND AFTER CAR SERIALS IN NOTE 3.

DUAL EXHAUST SYSTEM

ILLUST. NUMBER	PART NUMBER	CHANGE	DESCRIPTION	MODELS	PER CAR
0403- OUTLET PIPE AND SUPPORTS - Cont'd. (Plates 04-4, 5, 6)					
INCL. IN AC KIT					
0403-4	536388		BRACKET, RIGHT OUTLET PIPE SUPPORT - W-F-Y	16G8, 6H, 57B, 57H, 57L	1
0403-4-1	1540302		BRACKET, RIGHT, OUTLET PIPE SUPPORT	56B, 56H	1
0403-4-2	1540303		BRACKET, LEFT, OUTLET PIPE SUPPORT } W-F-Y - NOTE 3		
0403-4-1	1541454		BRACKET, RIGHT, OUTLET PIPE SUPPORT 2772	56B, 56H	1
0403-4-2	1541455		BRACKET, LEFT, OUTLET PIPE SUPPORT } W-F-Y - NOTE 4	56B, 56H	1
0403-4	534861		BRACKET, RIGHT, OUTLET PIPE SUPPORT - C-K	ALL EXCEPT 57L	1
0403-4	534862		BRACKET, RIGHT, OUTLET PIPE SUPPORT - D-P	56B, 56H, 57B, 57H, 57L	1
	----		BOLT, TO FRAME - W-F-Y (SEE BUMPER BAR BOLTS)	56B, 56H	4
	G173741		SCREW, TO FRAME 5/16"-18X1/2" - C-K-D	16G8, 6H, 56B, 56H, 56J	2
	G173741		SCREW, TO FRAME 5/16"-18X1/2"	57B, 57H, 57L	2
0403-5	1540304		HANGER, OUTLET PIPE SUPPORT - W-F-Y - NOTE 3 2772	56B, 56H	2
0403-5	1541464		HANGER, OUTLET PIPE SUPPORT - W-F-Y - NOTE 4	56B, 56H	2
	G181608		BOLT, TO BRACKET 5/16"-24X1" 2772	56B, 56H	4
	G120368		NUT, HEX, 5/16"-24 2772	56B, 56H	4
	G120363		WASHER, PLAIN 3/8" 2772	56B, 56H	4
	G120214		WASHER, LOCK 5/16" 2772	56B, 56H	4
0403-7	526460		STRAP, OUTLET PIPE SUPPORT - W-F-Y 2725	16G8, 6H	2
0403-7	1539713		STRAP, OUTLET PIPE SUPPORT - W-F-Y - NOTE 3 2772	56B, 56H	2
0403-7	526460		STRAP, OUTLET PIPE SUPPORT - W-F-Y - NOTE 4	56B, 56H	2
0403-7	526460		STRAP, OUTLET PIPE SUPPORT - C-K-D . 2724-2773-2811	16G8, 6H, 56B, 56H, 56J	2
0403-7	526460		STRAP, OUTLET PIPE SUPPORT	57B, 57H, 57L	2
	G181608		BOLT, TO HANGER AND SUPPORT 5/16"-24X1"	56B, 56H	6
	G120368		NUT, HEX, 5/16"-24 2772		
0403-8	1539714		WASHER, UPPER, SPECIAL	56B, 56H	2
0403-8	526347		WASHER, LOWER, SPECIAL	56B, 56H	2
	G120214		WASHER, LOCK 5/16"	56B, 56H	6
	G181608		BOLT, TO BRKT. AND SUPT. 5/16"-24X1"	ALL MODELS	3
	G181004		BOLT, TO GAS TANK HANGER 5/16"-24X1 1/8"	ALL MODELS	1
	G120368		NUT, HEX, 5/16"-24	ALL MODELS	4
0403-8	526347		WASHER, SPECIAL	ALL MODELS	4
	G120393		WASHER, PLAIN 11/32"	ALL MODELS	4
	G120214		WASHER, LOCK 5/16"	ALL MODELS	4
0403-19	526486		SUPPORT, RIGHT, OUTLET PIPE } W-F-Y	16G8, 6H	1
0403-20	536621		SUPPORT, LEFT, OUTLET PIPE } 2725	16G8, 6H	1
0403-19	526486		SUPPORT, OUTLET PIPE - W-F-Y 2772	56B, 56H	2
0403-19	526486		SUPPORT, RIGHT, OUTLET PIPE } C-K-D	16G8, 6H, 56B, 56H, 56J	1
0403-20	536621		SUPPORT, LEFT, OUTLET PIPE } 2724-2773-2811	16G8, 6H, 56B, 56H, 56J	1
0403-19	526486		SUPPORT, RIGHT, OUTLET PIPE	57B, 57H, 57L	1
0403-20	536621		SUPPORT, LEFT, OUTLET PIPE	57B, 57H, 57L	1
0403-22	536407		CLAMP, OUTLET PIPE SUPPORT 2724-2725	16G8, 6H	2
0403-22	526485		CLAMP, OUTLET PIPE SUPPORT 2772-2773-2811	56B, 56H, 56J, 57B, 57H, 57L	2
	G181639		BOLT, CLAMPING 3/8"-24X1 1/4" ALL	ALL MODELS	2
	G120369		NUT, HEX, 3/8"-24 ALL	ALL MODELS	2
	G120382		WASHER, LOCK 3/8" ALL	ALL MODELS	2

NOTES { 3 - USED ON MODELS 56B 56H
BEFORE CAR SERIALS U.S.A. 8,448,860 7,186,910
4 - USED ON AND AFTER CAR SERIALS IN NOTE 3.

DUAL EXHAUST SYSTEM

0403

ILLUST. NUMBER	PART NUMBER	CHANGE	DESCRIPTION	MODELS	PER CAR
0403- OUTLET PIPE AND SUPPORTS - Cont'd. (Plates 04-4,5,6)					
			INCL. IN AC KIT		
0403-25A	AC-2701		DEFLECTOR, OUTLET PIPE. 2724-2725 . . .	16G8.6H	2
	G180016		SCREW, RETAINING 1/4"X1/2" 2724-2725 . . .	16G8.6H	2
0403-25B	AC-2754		DEFLECTOR, OUTLET PIPE (INCLS. SCREW) C-K	56B.56H.56J	2
	G448935		SCREW, RETAINING NO. 10X1/2"	56B.56H.56J	4
0403-25	AC-2840		DEFLECTOR, OUTLET PIPE	57B.57H.57L	2
0403-28	AC-2771		TRIM RING KIT, MUFFLER OUTLET PIPE - W-F-Y - (CONSISTS OF 2 RINGS AND SCREWS).	56B.56H	1
	G155173		SCREW, RETAINING NO. 10-32X1/4"	56B.56H	2

PackardInfo.com

MEMORANDA

PackardInfo.com

IMPORTANT

To assure prompt shipment of parts, always give

Car Serial and **Engine Number**

L. H. C. - Left hand drive only

R. H. C. - Right hand drive only